

SALES & ENGINEERING DATA

RATIO SERIES: **1:1**

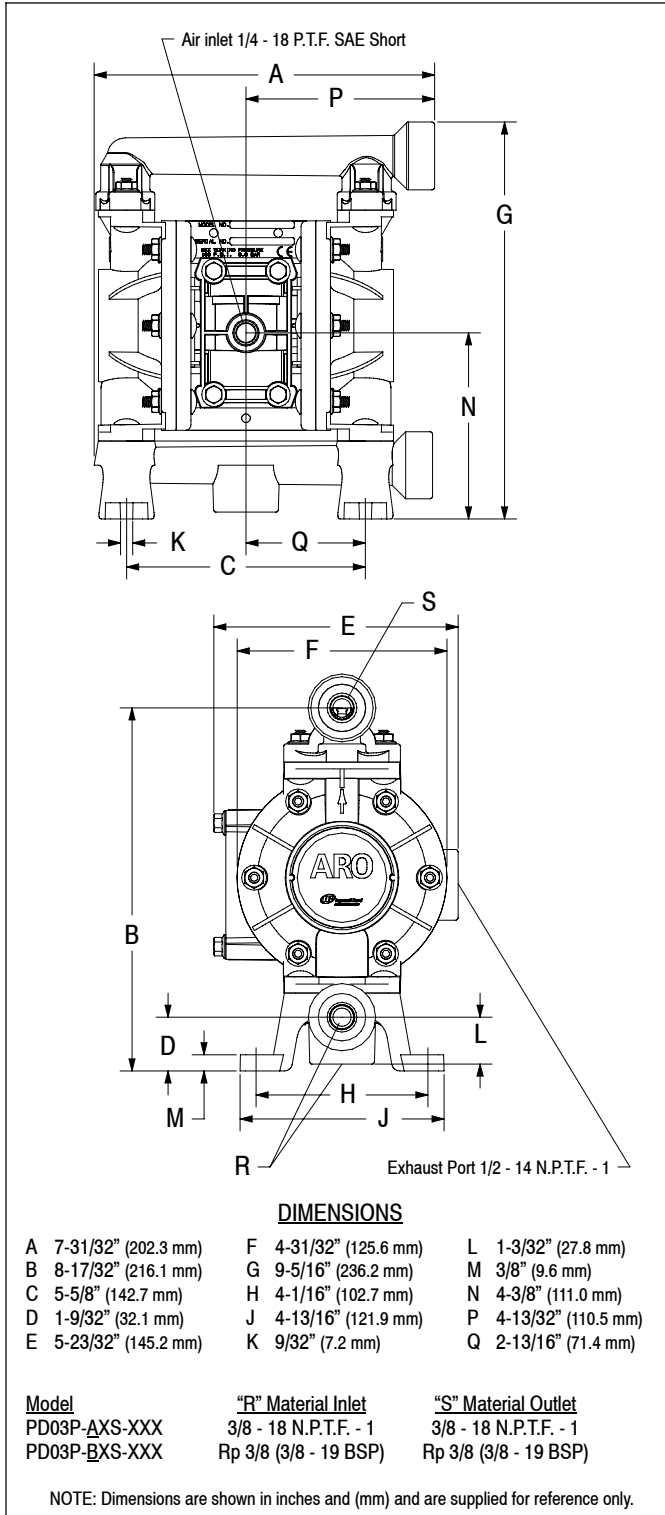
FLUID P.S.I. RANGE: **10 - 100**

PD03P-XXS-XXX

3/8" NON-METALLIC DIAPHRAGM PUMP

RELEASED: 2-17-06
 REVISED: 6-7-10
 (REV. 04) S-1386

DIMENSIONAL DATA



SPECIFICATIONS

CONSTRUCTION

Model Series	PD03P-XXS-XXX
Pump Type	Non-Metallic, Air Operated, Double Diaphragm
Ratio	1:1
Material Inlet / Outlet (female)	
PD03P- <u>A</u> XS-XXX	3/8 - 18 N.P.T.F. - 1
PD03P- <u>B</u> XS-XXX	Rp 3/8 (3/8 - 19 BSP parallel)
Air Inlet (female)	1/4 - 18 P.T.F. SAE short
Air Exhaust (standard)	internal
(optional)(female)	1/2 - 14 N.P.T.F. - 1
Weight	
PD03P-XDS-XXX	4.16 lbs (1.89 kgs)
PD03P-XES-XXX	4.26 lbs (1.93 kgs)
PD03P-XKS-XXX	4.50 lbs (2.04 kgs)
PD03P-XLS-XXX	4.62 lbs (2.10 kgs)
PD03P-XPS-XXX	3.44 lbs (1.56 kgs)
PD03P-XRS-XXX	3.50 lbs (1.59 kgs)
Air Section Service Kit	637428
Fluid Section Service Kit	637429-XX

PD03P-XXS- X X X
 637429 - X X X

Diaphragm Material
 Ball Material

EXAMPLE: Model #PD03P-ARS-SAA
 Fluid Section Service Kit is 637429-AA

PERFORMANCE

Air Inlet Pressure Range	10 - 100 p.s.i. (0.69 - 6.9 bar)
Maximum Material Inlet Pressure	10 p.s.i. (0.69 bar)
Fluid Outlet Pressure Range	10 - 100 p.s.i. (0.69 - 6.9 bar)
Maximum Flow Rate (flooded inlet)	
ball check	10.6 g.p.m. (40.1 l.p.m.)
duckbill	8.7 g.p.m. (32.9 l.p.m.)
Displacement / Cycle @ 100 p.s.i.	
ball check	0.022 gal. (0.083 lit.)
duckbill	0.018 gal. (0.068 lit.)
Maximum Particle Size - ball check	1/16" dia. (1.6 mm)
duckbill	fibers
Maximum Temperature Limits (diaphragm / ball / seat material)	
Acetal	10° to 180° F (-12° to 82° C)
Hytrel	-20° to 150° F (-29° to 66° C)
Kynar PVDF	10° to 200° F (-12° to 93° C)
Neoprene	0° to 200° F (-18° to 93° C)
Nitrile	10° to 180° F (-12° to 82° C)
Polypropylene	35° to 150° F (2° to 66° C)
Santoprene	-40° to 225° F (-40° to 107° C)
PTFE	40° to 225° F (4° to 107° C)
Viton	-40° to 350° F (-40° to 177° C)
Noise Level @ 70 p.s.i. - 60 c.p.m.	72.7 db(A)①

① The pump sound pressure level has been updated to an Equivalent Continuous Sound Level (L_{Aeq}) to meet the intent of ANSI S1. 13-1971, CAGI-PNEUROP S5.1 using four microphone locations.

ACCESSORIES:

- 66073-1 Air Line Connection Kit
- 67388 Wall Mount Bracket Assembly
- 93110 Muffler
- 637438 Ported Exhaust Kit

INGERSOLL RAND COMPANY LTD

209 NORTH MAIN STREET - BRYAN, OHIO 43506

① (800) 495-0276 • FAX(800) 892-6276

www.ingersollrandproducts.com

© 2010

CCN 1525557

ARO

IR Ingersoll Rand
 Industrial Technologies

PERFORMANCE CURVES

PD03P-XXS-XXX 3/8" NON-METALLIC DIAPHRAGM PUMP

